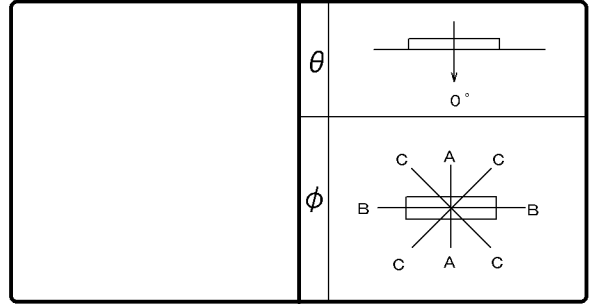


東芝照明器具配光データシート

| | |
|----|----------------|
| 名称 | LED照明器具 |
| 形名 | LRS3MP/RP-4-46 |

| | | |
|--------|------|---------|
| 効 率 | F | 0 % |
| | F | 100 % |
| | F | 100 % |
| | 器具光束 | 4940 lm |

| | | |
|-----|---|------|
| 保守率 | 良 | 0.81 |
| | 中 | 0.77 |
| | 否 | 0.68 |



| | |
|-----|----------|
| 前面 | カバー (透明) |
| 反射面 | 塗装 (白) |

| | |
|--------|--------|
| 最大取付間隔 | |
| A-A | 1.27 H |
| B-B | 1.27 H |

東芝形名: LEKRW422524SN-LS9

備考

| 光度 (cd/1000lm) | | | |
|----------------|-----|-----|-----|
| θ \ φ | A-A | B-B | C-C |
| 0° | 332 | 332 | 332 |
| 10° | 325 | 326 | 326 |
| 20° | 308 | 309 | 308 |
| 30° | 282 | 281 | 280 |
| 40° | 250 | 244 | 245 |
| 50° | 212 | 200 | 203 |
| 60° | 170 | 150 | 158 |
| 70° | 121 | 93 | 109 |
| 80° | 47 | 36 | 52 |
| 90° | 0 | 1 | 0 |
| 100° | 0 | 1 | 0 |
| 110° | 0 | 1 | 0 |
| 120° | 0 | 1 | 0 |
| 130° | 0 | 0 | 1 |
| 140° | 0 | 0 | 1 |
| 150° | 1 | 0 | 1 |
| 160° | 1 | 1 | 1 |
| 170° | 1 | 1 | 1 |
| 180° | 1 | 1 | 1 |

| 反射率 (%) | 天井 | | | 70 | | | 50 | | | 30 | | 20 | | 0 | | | | | | |
|---------|---------------|-----|-----|-----|-----|-----|-----|-----|-----|-----|-----|----|-----|----|-----|----|-----|----|----|----|
| | 壁 | 70 | 50 | 30 | 70 | 50 | 30 | 50 | 30 | 30 | 10 | 0 | 30 | 10 | 0 | | | | | |
| 床 | 30 | 10 | 30 | 10 | 30 | 10 | 30 | 10 | 30 | 10 | 30 | 10 | 30 | 10 | 0 | | | | | |
| 室指数 | 固有照明率 (×0.01) | | | | | | | | | | | | | | | | | | | |
| 0.60 | 62 | 57 | 47 | 45 | 38 | 37 | 60 | 55 | 46 | 44 | 38 | 37 | 45 | 43 | 37 | 36 | 37 | 36 | 31 | 30 |
| 0.80 | 74 | 67 | 59 | 56 | 50 | 48 | 71 | 65 | 58 | 55 | 49 | 47 | 56 | 53 | 48 | 47 | 47 | 46 | 41 | 39 |
| 1.00 | 81 | 73 | 67 | 62 | 57 | 54 | 78 | 71 | 65 | 61 | 56 | 54 | 63 | 59 | 55 | 53 | 54 | 52 | 47 | 45 |
| 1.25 | 89 | 79 | 75 | 69 | 66 | 61 | 86 | 77 | 73 | 68 | 65 | 61 | 70 | 66 | 63 | 60 | 61 | 59 | 54 | 52 |
| 1.50 | 94 | 83 | 81 | 74 | 72 | 67 | 91 | 81 | 79 | 73 | 71 | 66 | 75 | 71 | 68 | 65 | 66 | 64 | 59 | 57 |
| 2.00 | 102 | 89 | 91 | 82 | 83 | 75 | 99 | 87 | 89 | 80 | 81 | 75 | 84 | 78 | 78 | 73 | 75 | 72 | 68 | 66 |
| 2.50 | 107 | 92 | 97 | 86 | 89 | 81 | 103 | 91 | 95 | 85 | 87 | 80 | 89 | 83 | 84 | 78 | 80 | 77 | 73 | 71 |
| 3.00 | 111 | 95 | 102 | 89 | 95 | 85 | 107 | 93 | 99 | 88 | 93 | 84 | 94 | 86 | 88 | 82 | 84 | 81 | 77 | 75 |
| 4.00 | 116 | 98 | 109 | 94 | 102 | 90 | 111 | 97 | 105 | 93 | 100 | 89 | 99 | 90 | 95 | 87 | 90 | 86 | 83 | 80 |
| 5.00 | 119 | 100 | 113 | 97 | 107 | 93 | 114 | 99 | 109 | 95 | 104 | 92 | 102 | 93 | 98 | 90 | 93 | 89 | 86 | 84 |
| 10.00 | 125 | 104 | 121 | 102 | 118 | 101 | 120 | 103 | 117 | 101 | 114 | 99 | 109 | 99 | 107 | 97 | 101 | 95 | 93 | 91 |

