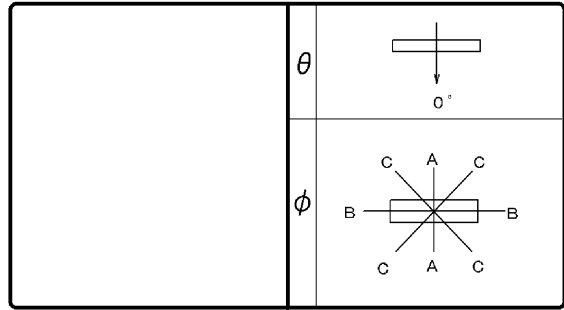


東芝照明器具配光データシート

| | |
|----|-----------------------------------|
| 名称 | 東芝LED器具 |
| 形名 | LEET-22301-LD9+LEEM-201 63N-VB |



| | | |
|----|------|---------|
| 効率 | F | 5 % |
| | F | 95 % |
| | F | 100 % |
| | 器具光束 | 1230 lm |

| | | |
|-----|---|------|
| 保守率 | 良 | 0.83 |
| | 中 | 0.81 |
| | 否 | 0.77 |

| | |
|-----|----------|
| 前面 | カバー (乳白) |
| 反射面 | 塗装 (白) |

| | |
|--------|-------|
| 最大取付間隔 | |
| A-A | 1.3 H |
| B-B | 1.2 H |

備考

| 光度 (cd/1000lm) | | | |
|-------------------------|-----|-----|-----|
| $\theta \setminus \phi$ | A-A | B-B | C-C |
| 0° | 304 | 304 | 304 |
| 10° | 299 | 298 | 299 |
| 20° | 286 | 281 | 283 |
| 30° | 263 | 253 | 258 |
| 40° | 233 | 218 | 226 |
| 50° | 198 | 176 | 187 |
| 60° | 159 | 129 | 145 |
| 70° | 121 | 79 | 103 |
| 80° | 86 | 30 | 65 |
| 90° | 58 | 2 | 38 |
| 100° | 40 | 1 | 20 |
| 110° | 13 | 1 | 1 |
| 120° | 0 | 1 | 1 |
| 130° | 0 | 1 | 0 |
| 140° | 0 | 0 | 0 |
| 150° | 0 | 0 | 0 |
| 160° | 0 | 0 | 0 |
| 170° | 1 | 0 | 0 |
| 180° | 1 | 1 | 0 |

| 反射率 (%) | 天井 | 80 | | | | | | 70 | | | | | | 50 | | | | | | 30 | | 20 | | 0 | |
|---------|----|-------------------------|-----|-----|-----|-----|----|-----|-----|-----|----|-----|----|-----|----|-----|----|----|----|----|----|----|---|---|--|
| | 壁 | 70 | | 50 | | 30 | | 70 | | 50 | | 30 | | 50 | | 30 | | 30 | | 10 | | 0 | | | |
| | 床 | 30 | 10 | 30 | 10 | 30 | 10 | 30 | 10 | 30 | 10 | 30 | 10 | 30 | 10 | 30 | 10 | 30 | 10 | 30 | 10 | 10 | 0 | | |
| 室指数 | | 固有照明率 ($\times 0.01$) | | | | | | | | | | | | | | | | | | | | | | | |
| 0.60 | | 60 | 55 | 46 | 43 | 37 | 36 | 58 | 54 | 45 | 43 | 36 | 35 | 43 | 41 | 35 | 34 | 34 | 34 | 29 | 27 | | | | |
| 0.80 | | 72 | 65 | 57 | 54 | 48 | 46 | 69 | 63 | 56 | 53 | 47 | 45 | 53 | 51 | 46 | 44 | 44 | 43 | 38 | 36 | | | | |
| 1.00 | | 79 | 71 | 65 | 60 | 55 | 52 | 76 | 69 | 63 | 59 | 54 | 51 | 60 | 57 | 52 | 50 | 50 | 49 | 44 | 42 | | | | |
| 1.25 | | 87 | 77 | 73 | 67 | 63 | 59 | 83 | 75 | 71 | 65 | 62 | 58 | 67 | 63 | 59 | 57 | 57 | 55 | 50 | 48 | | | | |
| 1.50 | | 92 | 81 | 79 | 71 | 69 | 64 | 88 | 79 | 76 | 70 | 67 | 63 | 72 | 67 | 65 | 61 | 62 | 60 | 55 | 52 | | | | |
| 2.00 | | 100 | 87 | 88 | 79 | 79 | 72 | 96 | 85 | 86 | 77 | 77 | 71 | 80 | 75 | 74 | 69 | 70 | 68 | 63 | 60 | | | | |
| 2.50 | | 105 | 90 | 94 | 83 | 86 | 77 | 100 | 88 | 91 | 82 | 84 | 76 | 85 | 79 | 79 | 74 | 75 | 72 | 68 | 65 | | | | |
| 3.00 | | 108 | 93 | 99 | 87 | 91 | 81 | 104 | 91 | 96 | 85 | 89 | 80 | 89 | 82 | 84 | 78 | 79 | 76 | 72 | 69 | | | | |
| 4.00 | | 113 | 96 | 105 | 91 | 99 | 87 | 108 | 94 | 102 | 90 | 96 | 85 | 95 | 86 | 90 | 83 | 85 | 81 | 77 | 74 | | | | |
| 5.00 | | 116 | 98 | 109 | 94 | 104 | 90 | 111 | 96 | 105 | 92 | 100 | 89 | 98 | 89 | 94 | 86 | 88 | 84 | 80 | 77 | | | | |
| 10.00 | | 122 | 102 | 119 | 100 | 115 | 98 | 117 | 100 | 114 | 98 | 111 | 96 | 105 | 95 | 103 | 93 | 96 | 90 | 88 | 85 | | | | |

