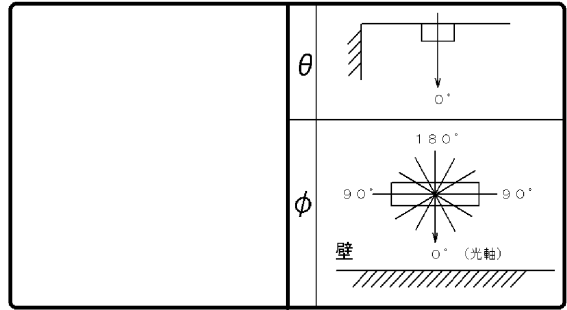


東芝照明器具配光データシート

| | |
|----|---------------------------------|
| 名称 | 東芝LED器具 |
| 形名 | LEKT407694HWW -LS9+HR-4125NL |

| | | |
|-----|---|------|
| 保守率 | 良 | 0.86 |
| | 中 | 0.81 |
| | 否 | 0.72 |



| | | |
|----|----|---------------------|
| 光源 | 名称 | LED |
| | 形名 | LEEM-40694W W-HG |
| | 光束 | 4850 lm x 1 |

| |
|----------|
| 前面 |
| カバー (乳白) |
| 反射面 |
| 塗装 (白) |

備考

| θ \ φ | 0° | 15° | 30° | 45° | 60° | 75° | 90° | 105° | 120° | 135° | 150° | 165° | 180° |
|-------|-----|-----|-----|-----|-----|-----|-----|------|------|------|------|------|------|
| 0° | 293 | | | 293 | | | 293 | | | 293 | | | 293 |
| 10° | 345 | | | 331 | | | 288 | | | 238 | | | 216 |
| 20° | 372 | | | 351 | | | 275 | | | 170 | | | 128 |
| 30° | 372 | | | 349 | | | 250 | | | 105 | | | 58 |
| 40° | 342 | | | 326 | | | 215 | | | 51 | | | 11 |
| 50° | 311 | | | 282 | | | 175 | | | 11 | | | 0 |
| 60° | 280 | | | 236 | | | 130 | | | 3 | | | 0 |
| 70° | 247 | | | 194 | | | 83 | | | 2 | | | 0 |
| 80° | 212 | | | 155 | | | 36 | | | 2 | | | 0 |
| 90° | 178 | | | 122 | | | 3 | | | 2 | | | 0 |
| 100° | 144 | | | 92 | | | 5 | | | 2 | | | 0 |
| 110° | 108 | | | 62 | | | 5 | | | 2 | | | 0 |
| 120° | 72 | | | 29 | | | 4 | | | 1 | | | 0 |
| 130° | 33 | | | 11 | | | 4 | | | 1 | | | 0 |
| 140° | 12 | | | 9 | | | 3 | | | 1 | | | 0 |
| 150° | 9 | | | 6 | | | 2 | | | 1 | | | 1 |
| 160° | 6 | | | 4 | | | 2 | | | 1 | | | 1 |
| 170° | 3 | | | 2 | | | 2 | | | 1 | | | 1 |
| 180° | 1 | | | 1 | | | 2 | | | 1 | | | 1 |

