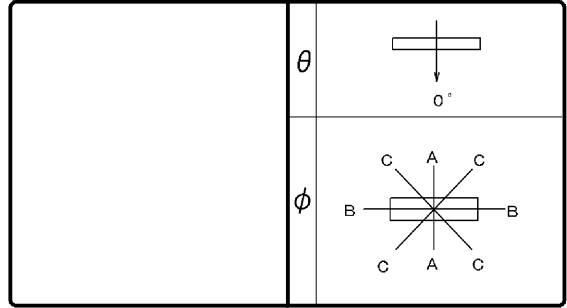


東芝照明器具配光データシート

| | |
|----|------------------|
| 名称 | 東芝LED器具 |
| 形名 | LEKT825103WW-LS9 |



| | | |
|----|------|---------|
| 効率 | F | 0 % |
| | F | 100 % |
| | F | 100 % |
| | 器具光束 | 8800 lm |

| | | |
|-----|---|------|
| 保守率 | 良 | 0.86 |
| | 中 | 0.81 |
| | 否 | 0.72 |

| | |
|-----|----------|
| 前面 | カバー (乳白) |
| 反射面 | 塗装 (白) |

| | |
|--------|-------|
| 最大取付間隔 | |
| A-A | 1.3 H |
| B-B | 1.2 H |

備考

| 光度 (cd/1000lm) | | | |
|-------------------------|-----|-----|-----|
| $\theta \setminus \phi$ | A-A | B-B | C-C |
| 0° | 329 | 329 | 329 |
| 10° | 323 | 322 | 322 |
| 20° | 307 | 303 | 305 |
| 30° | 282 | 273 | 277 |
| 40° | 250 | 235 | 242 |
| 50° | 215 | 189 | 200 |
| 60° | 175 | 139 | 160 |
| 70° | 127 | 84 | 112 |
| 80° | 76 | 32 | 62 |
| 90° | 0 | 0 | 0 |
| 100° | 0 | 0 | 0 |
| 110° | 0 | 0 | 0 |
| 120° | 0 | 0 | 0 |
| 130° | 0 | 0 | 0 |
| 140° | 0 | 0 | 0 |
| 150° | 0 | 0 | 0 |
| 160° | 0 | 0 | 0 |
| 170° | 0 | 0 | 0 |
| 180° | 0 | 0 | 0 |

| 反射率 (%) | 天井 | 80 | | | | | | 70 | | | | | | 50 | | | | | | 30 | | | | | | 20 | | | | | | 0 | | | | | | | | | | | | | | | | |
|---------|---------------|-----|-----|-----|-----|-----|-----|-----|-----|-----|-----|----|-----|----|-----|----|-----|----|----|----|----|----|----|----|----|----|----|----|----|----|----|---|--|--|--|--|--|--|--|--|--|--|--|--|--|--|--|--|
| | 壁 | 70 | | 50 | | 30 | | 70 | | 50 | | 30 | | 50 | | 30 | | 30 | | 30 | | 10 | | 0 | | 30 | | 10 | | 0 | | | | | | | | | | | | | | | | | | |
| | 床 | 30 | 10 | 30 | 10 | 30 | 10 | 30 | 10 | 30 | 10 | 30 | 10 | 30 | 10 | 30 | 10 | 30 | 10 | 30 | 10 | 30 | 10 | 30 | 10 | 30 | 10 | 30 | 10 | 30 | 10 | | | | | | | | | | | | | | | | | |
| 室指数 | 固有照明率 (×0.01) | | | | | | | | | | | | | | | | | | | | | | | | | | | | | | | | | | | | | | | | | | | | | | | |
| 0.60 | 61 | 56 | 47 | 44 | 38 | 37 | 60 | 55 | 46 | 44 | 38 | 37 | 45 | 43 | 37 | 36 | 36 | 36 | 31 | 29 | | | | | | | | | | | | | | | | | | | | | | | | | | | | |
| 0.80 | 73 | 67 | 59 | 55 | 49 | 47 | 71 | 65 | 58 | 54 | 49 | 47 | 56 | 53 | 48 | 46 | 47 | 46 | 41 | 39 | | | | | | | | | | | | | | | | | | | | | | | | | | | | |
| 1.00 | 81 | 72 | 66 | 61 | 57 | 54 | 78 | 71 | 65 | 61 | 56 | 53 | 62 | 59 | 54 | 52 | 53 | 52 | 47 | 45 | | | | | | | | | | | | | | | | | | | | | | | | | | | | |
| 1.25 | 88 | 78 | 75 | 68 | 65 | 61 | 85 | 77 | 73 | 67 | 64 | 60 | 70 | 66 | 62 | 59 | 60 | 58 | 54 | 51 | | | | | | | | | | | | | | | | | | | | | | | | | | | | |
| 1.50 | 93 | 82 | 81 | 73 | 71 | 66 | 90 | 81 | 79 | 72 | 70 | 65 | 75 | 70 | 68 | 64 | 65 | 63 | 59 | 56 | | | | | | | | | | | | | | | | | | | | | | | | | | | | |
| 2.00 | 102 | 89 | 91 | 81 | 82 | 75 | 98 | 87 | 88 | 80 | 80 | 74 | 84 | 78 | 77 | 73 | 74 | 71 | 67 | 65 | | | | | | | | | | | | | | | | | | | | | | | | | | | | |
| 2.50 | 107 | 92 | 97 | 86 | 89 | 80 | 103 | 91 | 94 | 84 | 87 | 79 | 89 | 82 | 83 | 78 | 79 | 76 | 72 | 70 | | | | | | | | | | | | | | | | | | | | | | | | | | | | |
| 3.00 | 111 | 95 | 102 | 89 | 94 | 84 | 107 | 93 | 99 | 88 | 92 | 83 | 93 | 86 | 88 | 82 | 84 | 80 | 76 | 74 | | | | | | | | | | | | | | | | | | | | | | | | | | | | |
| 4.00 | 115 | 98 | 108 | 94 | 102 | 89 | 111 | 97 | 105 | 92 | 99 | 89 | 99 | 90 | 94 | 87 | 89 | 85 | 82 | 80 | | | | | | | | | | | | | | | | | | | | | | | | | | | | |
| 5.00 | 118 | 100 | 112 | 96 | 107 | 93 | 114 | 99 | 109 | 95 | 104 | 92 | 102 | 93 | 98 | 90 | 93 | 88 | 86 | 83 | | | | | | | | | | | | | | | | | | | | | | | | | | | | |
| 10.00 | 125 | 104 | 121 | 102 | 118 | 100 | 120 | 103 | 117 | 101 | 114 | 99 | 109 | 99 | 107 | 97 | 101 | 95 | 93 | 91 | | | | | | | | | | | | | | | | | | | | | | | | | | | | |

