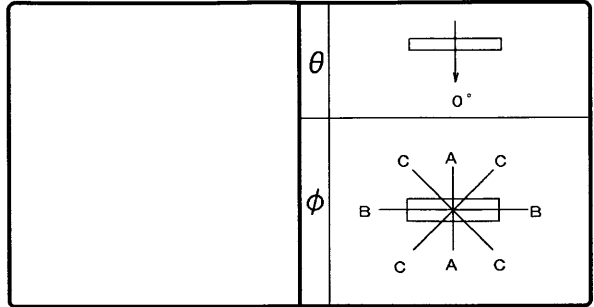


# 東芝照明器具配光データシート

|    |                   |
|----|-------------------|
| 名称 | 蛍光灯器具             |
| 形名 | FHT-42507-P<br>A9 |

|     |   |      |
|-----|---|------|
| 保守率 | 良 | 0.69 |
|     | 中 | 0.65 |
|     | 否 | 0.61 |



|    |    |             |
|----|----|-------------|
| 光源 | 名称 | 蛍光ランプ       |
|    | 形名 | FHF32EX-N-H |
|    | 光束 | 4950 lm × 2 |

|    |           |         |
|----|-----------|---------|
| 効率 | F $\cap$  | 8%      |
|    | F $\cup$  | 59%     |
|    | F $\circ$ | 67%     |
|    | 器具光束      | 6639 lm |

| 最大取付間隔 |       |
|--------|-------|
| A-A    | 1.3 H |
| B-B    | 1.2 H |

備考

|     |            |
|-----|------------|
| 前面  | 乳白アクリルカーバー |
| 反射面 | 塗装 (白)     |

| 光度 (cd/1000lm)          |     |     |     |
|-------------------------|-----|-----|-----|
| $\theta \setminus \phi$ | A-A | B-B | C-C |
| 0°                      | 188 | 188 | 188 |
| 10°                     | 182 | 186 | 186 |
| 20°                     | 174 | 175 | 176 |
| 30°                     | 161 | 157 | 161 |
| 40°                     | 143 | 134 | 141 |
| 50°                     | 122 | 108 | 117 |
| 60°                     | 99  | 79  | 91  |
| 70°                     | 74  | 49  | 64  |
| 80°                     | 50  | 21  | 39  |
| 90°                     | 33  | 3   | 22  |
| 100°                    | 27  | 4   | 18  |
| 110°                    | 23  | 4   | 16  |
| 120°                    | 20  | 5   | 13  |
| 130°                    | 16  | 5   | 11  |
| 140°                    | 13  | 6   | 9   |
| 150°                    | 10  | 6   | 8   |
| 160°                    | 9   | 7   | 7   |
| 170°                    | 7   | 7   | 7   |
| 180°                    | 8   | 8   | 8   |

| 反射率 (%) | 天井          | 80 |    |    |    |    |    | 70 |    |    |    |    |    | 50 |    |    |    |    |    | 30 |   | 20 |   | 0 |
|---------|-------------|----|----|----|----|----|----|----|----|----|----|----|----|----|----|----|----|----|----|----|---|----|---|---|
|         | 壁           | 70 |    | 50 |    | 30 |    | 70 |    | 50 |    | 30 |    | 50 |    | 30 |    | 30 |    | 10 |   | 0  |   |   |
|         | 床           | 30 | 10 | 30 | 10 | 30 | 10 | 30 | 10 | 30 | 10 | 30 | 10 | 30 | 10 | 30 | 10 | 30 | 10 | 10 | 0 | 10 | 0 |   |
| 室指数     | 照明率 (×0.01) |    |    |    |    |    |    |    |    |    |    |    |    |    |    |    |    |    |    |    |   |    |   |   |
| 0.60    | 39          | 36 | 30 | 28 | 24 | 23 | 38 | 35 | 29 | 28 | 24 | 23 | 27 | 26 | 23 | 22 | 22 | 21 | 18 | 17 |   |    |   |   |
| 0.80    | 47          | 43 | 38 | 35 | 31 | 30 | 45 | 41 | 36 | 34 | 31 | 29 | 34 | 33 | 29 | 28 | 28 | 27 | 24 | 22 |   |    |   |   |
| 1.00    | 52          | 47 | 42 | 39 | 36 | 34 | 50 | 45 | 41 | 38 | 35 | 33 | 38 | 36 | 33 | 32 | 32 | 31 | 27 | 26 |   |    |   |   |
| 1.25    | 57          | 51 | 48 | 44 | 41 | 39 | 54 | 49 | 46 | 43 | 40 | 38 | 43 | 41 | 38 | 36 | 36 | 35 | 32 | 29 |   |    |   |   |
| 1.50    | 60          | 53 | 52 | 47 | 45 | 42 | 57 | 51 | 50 | 46 | 44 | 41 | 46 | 43 | 41 | 39 | 39 | 38 | 34 | 32 |   |    |   |   |
| 2.00    | 66          | 57 | 58 | 52 | 52 | 48 | 63 | 55 | 56 | 51 | 51 | 47 | 52 | 48 | 47 | 45 | 44 | 43 | 39 | 37 |   |    |   |   |
| 2.50    | 69          | 60 | 62 | 55 | 57 | 51 | 66 | 58 | 60 | 53 | 55 | 50 | 55 | 51 | 51 | 48 | 48 | 46 | 43 | 40 |   |    |   |   |
| 3.00    | 71          | 61 | 65 | 57 | 60 | 54 | 68 | 59 | 63 | 56 | 58 | 52 | 57 | 53 | 54 | 50 | 50 | 48 | 45 | 42 |   |    |   |   |
| 4.00    | 75          | 63 | 70 | 60 | 65 | 57 | 71 | 62 | 66 | 59 | 63 | 56 | 61 | 56 | 58 | 53 | 54 | 51 | 48 | 46 |   |    |   |   |
| 5.00    | 77          | 65 | 72 | 62 | 68 | 59 | 73 | 63 | 69 | 60 | 66 | 58 | 63 | 57 | 60 | 55 | 56 | 53 | 50 | 48 |   |    |   |   |
| 10.00   | 81          | 67 | 78 | 66 | 76 | 64 | 77 | 66 | 75 | 64 | 72 | 63 | 68 | 61 | 66 | 60 | 61 | 57 | 55 | 52 |   |    |   |   |

