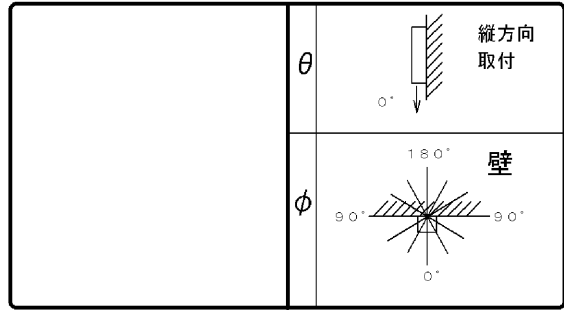


東芝照明器具配光データシート

| | |
|----|--------------|
| 名称 | LED照明器具 |
| 形名 | LEDB88940(W) |

| | | |
|-----|---|------|
| 保守率 | 良 | 0.63 |
| | 中 | 0.60 |
| | 否 | 0.56 |



| | | |
|----|----|-------------|
| 光源 | 名称 | |
| | 形名 | LDA8L-G/60W |
| | 光束 | 810 lm × 1 |

| | | |
|----|------|--------|
| 効率 | F ◐ | 20% |
| | F ◑ | 35% |
| | F ○ | 55% |
| | 器具光束 | 450 lm |

| | |
|--------|-------|
| 最大取付間隔 | |
| A-A | 2.6 H |
| B-B | 2.6 H |

備考
配光曲線は90度回転して使用のこと

| | |
|-----|--|
| 前面 | |
| 反射面 | |

| 光度 (cd/1000lm) | | | |
|----------------|-----|-----|-----|
| θ \ φ | A-A | B-B | C-C |
| 0° | 26 | | |
| 10° | 28 | | |
| 20° | 34 | | |
| 30° | 41 | | |
| 40° | 48 | | |
| 50° | 55 | | |
| 60° | 60 | | |
| 70° | 64 | | |
| 80° | 67 | | |
| 90° | 66 | | |
| 100° | 61 | | |
| 110° | 50 | | |
| 120° | 32 | | |
| 130° | 15 | | |
| 140° | 6 | | |
| 150° | 3 | | |
| 160° | 1 | | |
| 170° | 0 | | |
| 180° | 0 | | |

| 反射率 (%) | 天井 | 80 | | | | | | 70 | | | | | | 50 | | | | | | 30 | | | | | | 20 | | | | | | 0 | | | | | |
|---------|-------------|----|----|----|----|----|----|----|----|----|----|----|----|----|----|----|----|----|----|----|----|----|----|----|----|----|----|----|----|----|----|----|----|----|----|--|--|
| | 壁 | 70 | | 50 | | 30 | | 70 | | 50 | | 30 | | 50 | | 30 | | 30 | | 30 | | 10 | | 10 | | 30 | | 10 | | 10 | | 0 | | | | | |
| | 床 | 30 | 10 | 30 | 10 | 30 | 10 | 30 | 10 | 30 | 10 | 30 | 10 | 30 | 10 | 30 | 10 | 30 | 10 | 30 | 10 | 30 | 10 | 30 | 10 | 30 | 10 | 30 | 10 | 30 | 10 | 30 | 10 | 30 | 10 | | |
| 室指数 | 照明率 (×0.01) | | | | | | | | | | | | | | | | | | | | | | | | | | | | | | | | | | | | |
| 0.60 | 26 | 24 | 18 | 17 | 13 | 12 | 24 | 22 | 16 | 16 | 12 | 11 | 14 | 13 | 10 | 10 | 8 | 8 | 5 | 3 | | | | | | | | | | | | | | | | | |
| 0.80 | 32 | 29 | 23 | 21 | 17 | 16 | 29 | 26 | 21 | 20 | 16 | 15 | 18 | 17 | 13 | 13 | 11 | 11 | 8 | 5 | | | | | | | | | | | | | | | | | |
| 1.00 | 35 | 32 | 26 | 24 | 20 | 19 | 32 | 29 | 24 | 23 | 19 | 18 | 21 | 20 | 16 | 16 | 14 | 13 | 10 | 7 | | | | | | | | | | | | | | | | | |
| 1.25 | 39 | 35 | 31 | 28 | 24 | 23 | 36 | 32 | 28 | 26 | 23 | 21 | 24 | 22 | 19 | 19 | 16 | 16 | 12 | 9 | | | | | | | | | | | | | | | | | |
| 1.50 | 42 | 37 | 34 | 31 | 27 | 25 | 38 | 34 | 31 | 28 | 25 | 24 | 26 | 25 | 22 | 21 | 18 | 18 | 14 | 11 | | | | | | | | | | | | | | | | | |
| 2.00 | 47 | 41 | 39 | 35 | 33 | 30 | 43 | 38 | 36 | 32 | 31 | 28 | 30 | 28 | 26 | 25 | 22 | 21 | 17 | 13 | | | | | | | | | | | | | | | | | |
| 2.50 | 49 | 43 | 42 | 37 | 37 | 33 | 45 | 40 | 39 | 35 | 34 | 31 | 33 | 30 | 29 | 27 | 24 | 23 | 19 | 15 | | | | | | | | | | | | | | | | | |
| 3.00 | 52 | 44 | 45 | 39 | 40 | 35 | 47 | 41 | 42 | 37 | 37 | 33 | 35 | 32 | 31 | 29 | 26 | 25 | 21 | 17 | | | | | | | | | | | | | | | | | |
| 4.00 | 55 | 46 | 49 | 42 | 44 | 39 | 50 | 43 | 45 | 40 | 41 | 36 | 38 | 35 | 35 | 32 | 29 | 28 | 24 | 20 | | | | | | | | | | | | | | | | | |
| 5.00 | 56 | 48 | 52 | 44 | 47 | 41 | 52 | 45 | 47 | 42 | 44 | 39 | 40 | 36 | 37 | 34 | 31 | 30 | 26 | 21 | | | | | | | | | | | | | | | | | |
| 10.00 | 61 | 51 | 58 | 49 | 55 | 47 | 56 | 48 | 53 | 46 | 51 | 44 | 45 | 41 | 43 | 39 | 36 | 34 | 31 | 26 | | | | | | | | | | | | | | | | | |

