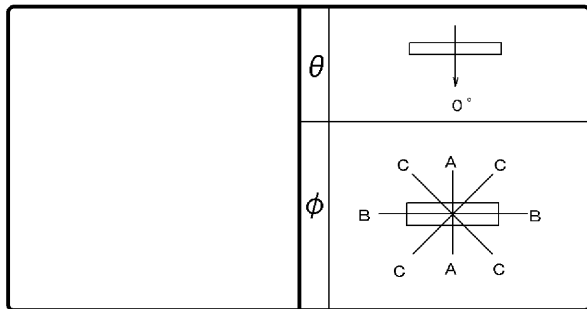


東芝照明器具配光データシート

| | |
|----|-------------------|
| 名称 | 東芝LED器具 |
| 形名 | LEKT807131HWW-LD2 |

| | | |
|--------|----------|----------|
| 効 率 | F ◡ | 6 % |
| | F ◣ | 94 % |
| | F ○ | 100 % |
| | 器具 光束 | 12600 lm |

| | | |
|---------|---|------|
| 保守 率 | 良 | 0.88 |
| | 中 | 0.86 |
| | 否 | 0.81 |



| | |
|-----|----------|
| 前面 | カバー (乳白) |
| 反射面 | 塗装 (白) |

| | |
|--------|--------|
| 最大取付間隔 | |
| A-A | 1.27 H |
| B-B | 1.23 H |

備考

| 光度 (cd/1000lm) | | | |
|----------------|-----|-----|-----|
| θ \ φ | A-A | B-B | C-C |
| 0° | 301 | 301 | 301 |
| 10° | 296 | 295 | 295 |
| 20° | 282 | 278 | 280 |
| 30° | 259 | 250 | 255 |
| 40° | 229 | 215 | 222 |
| 50° | 193 | 174 | 183 |
| 60° | 155 | 128 | 142 |
| 70° | 118 | 78 | 100 |
| 80° | 83 | 30 | 62 |
| 90° | 55 | 2 | 34 |
| 100° | 33 | 1 | 18 |
| 110° | 20 | 1 | 10 |
| 120° | 12 | 1 | 7 |
| 130° | 9 | 1 | 6 |
| 140° | 7 | 1 | 5 |
| 150° | 6 | 1 | 3 |
| 160° | 4 | 0 | 2 |
| 170° | 2 | 1 | 2 |
| 180° | 1 | 1 | 1 |

| 反射率 (%) | 天井 | 80 | | | | | | 70 | | | | | | 50 | | | | | | 30 | | 20 | | 0 |
|---------|-------|---------------|-----|-----|-----|-----|----|-----|-----|-----|----|-----|----|-----|----|-----|----|----|----|----|----|----|---|---|
| | 壁 | 70 | | 50 | | 30 | | 70 | | 50 | | 30 | | 50 | | 30 | | 30 | | 10 | | 0 | | |
| | 床 | 30 | 10 | 30 | 10 | 30 | 10 | 30 | 10 | 30 | 10 | 30 | 10 | 30 | 10 | 30 | 10 | 30 | 10 | 30 | 10 | 10 | 0 | |
| | 室指数 | 固有照明率 (×0.01) | | | | | | | | | | | | | | | | | | | | | | |
| | 0.60 | 60 | 55 | 46 | 43 | 37 | 36 | 58 | 54 | 44 | 42 | 36 | 35 | 42 | 41 | 35 | 34 | 34 | 33 | 29 | 27 | | | |
| | 0.80 | 72 | 65 | 57 | 54 | 48 | 46 | 69 | 63 | 56 | 53 | 47 | 45 | 53 | 51 | 45 | 44 | 44 | 43 | 38 | 36 | | | |
| | 1.00 | 79 | 71 | 64 | 60 | 55 | 52 | 76 | 69 | 63 | 59 | 54 | 51 | 59 | 56 | 52 | 50 | 50 | 48 | 43 | 41 | | | |
| | 1.25 | 86 | 77 | 73 | 67 | 63 | 59 | 83 | 75 | 70 | 65 | 61 | 58 | 66 | 63 | 59 | 56 | 56 | 55 | 50 | 47 | | | |
| | 1.50 | 91 | 80 | 78 | 71 | 69 | 64 | 88 | 78 | 76 | 70 | 67 | 63 | 71 | 67 | 64 | 61 | 61 | 59 | 54 | 52 | | | |
| | 2.00 | 100 | 87 | 88 | 79 | 79 | 72 | 95 | 84 | 85 | 77 | 77 | 71 | 80 | 74 | 73 | 69 | 69 | 67 | 62 | 59 | | | |
| | 2.50 | 104 | 90 | 94 | 83 | 86 | 77 | 100 | 88 | 91 | 81 | 83 | 76 | 85 | 78 | 79 | 74 | 74 | 71 | 67 | 64 | | | |
| | 3.00 | 108 | 93 | 99 | 87 | 91 | 81 | 103 | 90 | 95 | 85 | 88 | 80 | 89 | 81 | 83 | 77 | 78 | 75 | 71 | 68 | | | |
| | 4.00 | 113 | 96 | 105 | 91 | 99 | 87 | 108 | 94 | 101 | 89 | 95 | 85 | 94 | 86 | 89 | 82 | 84 | 80 | 76 | 73 | | | |
| | 5.00 | 116 | 98 | 109 | 94 | 103 | 90 | 111 | 96 | 105 | 92 | 100 | 88 | 97 | 88 | 93 | 85 | 87 | 83 | 79 | 76 | | | |
| | 10.00 | 122 | 102 | 118 | 100 | 115 | 97 | 117 | 100 | 113 | 98 | 110 | 96 | 104 | 94 | 102 | 92 | 95 | 89 | 87 | 83 | | | |

