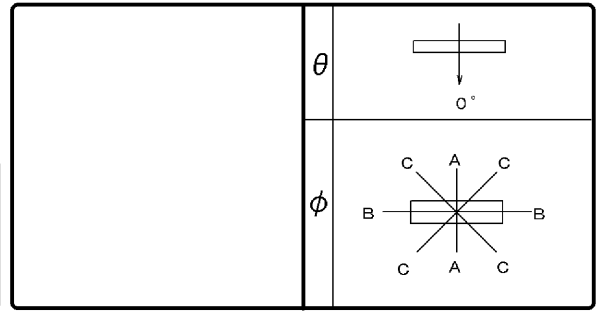


# 東芝照明器具配光データシート

|    |                 |
|----|-----------------|
| 名称 | 東芝LED器具         |
| 形名 | LEKT425691N-LD9 |



|    |      |         |
|----|------|---------|
| 効率 | F    | 0 %     |
|    | F    | 100 %   |
|    | F    | 100 %   |
|    | 器具光束 | 6600 lm |

|     |   |      |
|-----|---|------|
| 保守率 | 良 | 0.86 |
|     | 中 | 0.81 |
|     | 否 | 0.72 |

|     |         |
|-----|---------|
| 前面  | カバー(乳白) |
| 反射面 | 塗装(白)   |

|        |        |
|--------|--------|
| 最大取付間隔 |        |
| A-A    | 1.27 H |
| B-B    | 1.23 H |

備考

| 光度(cd/1000lm)           |     |     |     |
|-------------------------|-----|-----|-----|
| $\theta \setminus \phi$ | A-A | B-B | C-C |
| 0°                      | 329 | 329 | 329 |
| 10°                     | 323 | 322 | 322 |
| 20°                     | 307 | 303 | 305 |
| 30°                     | 282 | 273 | 277 |
| 40°                     | 250 | 235 | 242 |
| 50°                     | 215 | 189 | 200 |
| 60°                     | 175 | 139 | 160 |
| 70°                     | 127 | 84  | 112 |
| 80°                     | 76  | 32  | 62  |
| 90°                     | 0   | 0   | 0   |
| 100°                    | 0   | 0   | 0   |
| 110°                    | 0   | 0   | 0   |
| 120°                    | 0   | 0   | 0   |
| 130°                    | 0   | 0   | 0   |
| 140°                    | 0   | 0   | 0   |
| 150°                    | 0   | 0   | 0   |
| 160°                    | 0   | 0   | 0   |
| 170°                    | 1   | 1   | 0   |
| 180°                    | 1   | 1   | 1   |

| 反射率(%) | 天井    | 80           |     |     |     |     |     | 70  |     |     |     |     |    | 50  |    |     |    |     |    | 30 |    | 20 |   | 0 |  |
|--------|-------|--------------|-----|-----|-----|-----|-----|-----|-----|-----|-----|-----|----|-----|----|-----|----|-----|----|----|----|----|---|---|--|
|        | 壁     | 70           |     | 50  |     | 30  |     | 70  |     | 50  |     | 30  |    | 50  |    | 30  |    | 30  |    | 10 |    | 0  |   |   |  |
|        | 床     | 30           | 10  | 30  | 10  | 30  | 10  | 30  | 10  | 30  | 10  | 30  | 10 | 30  | 10 | 30  | 10 | 30  | 10 | 30 | 10 | 10 | 0 |   |  |
|        | 室指数   | 固有照明率(×0.01) |     |     |     |     |     |     |     |     |     |     |    |     |    |     |    |     |    |    |    |    |   |   |  |
|        | 0.60  | 61           | 56  | 47  | 44  | 38  | 37  | 60  | 55  | 46  | 44  | 38  | 37 | 45  | 43 | 37  | 36 | 36  | 36 | 31 | 29 |    |   |   |  |
|        | 0.80  | 73           | 67  | 59  | 55  | 49  | 47  | 71  | 65  | 58  | 54  | 49  | 47 | 56  | 53 | 48  | 46 | 47  | 46 | 41 | 39 |    |   |   |  |
|        | 1.00  | 81           | 72  | 66  | 61  | 57  | 54  | 78  | 71  | 65  | 61  | 56  | 53 | 62  | 59 | 54  | 52 | 53  | 52 | 47 | 45 |    |   |   |  |
|        | 1.25  | 88           | 78  | 75  | 68  | 65  | 61  | 85  | 77  | 73  | 67  | 64  | 60 | 70  | 66 | 62  | 59 | 60  | 58 | 54 | 51 |    |   |   |  |
|        | 1.50  | 93           | 82  | 81  | 73  | 71  | 66  | 90  | 81  | 79  | 72  | 70  | 65 | 75  | 70 | 68  | 64 | 65  | 63 | 59 | 56 |    |   |   |  |
|        | 2.00  | 102          | 89  | 91  | 81  | 82  | 75  | 98  | 87  | 88  | 80  | 80  | 74 | 84  | 78 | 77  | 73 | 74  | 71 | 67 | 65 |    |   |   |  |
|        | 2.50  | 107          | 92  | 97  | 86  | 89  | 80  | 103 | 91  | 94  | 84  | 87  | 79 | 89  | 82 | 83  | 78 | 79  | 76 | 72 | 70 |    |   |   |  |
|        | 3.00  | 111          | 95  | 102 | 89  | 94  | 84  | 107 | 93  | 99  | 88  | 92  | 83 | 93  | 86 | 88  | 82 | 84  | 80 | 76 | 74 |    |   |   |  |
|        | 4.00  | 115          | 98  | 108 | 94  | 102 | 89  | 111 | 97  | 105 | 92  | 99  | 89 | 99  | 90 | 94  | 87 | 89  | 85 | 82 | 80 |    |   |   |  |
|        | 5.00  | 118          | 100 | 112 | 96  | 107 | 93  | 114 | 99  | 109 | 95  | 104 | 92 | 102 | 93 | 98  | 90 | 93  | 88 | 86 | 83 |    |   |   |  |
|        | 10.00 | 125          | 104 | 121 | 102 | 118 | 100 | 120 | 103 | 117 | 101 | 114 | 99 | 109 | 99 | 107 | 97 | 101 | 95 | 93 | 91 |    |   |   |  |

