

2023, 09, 003

3

4

5

6

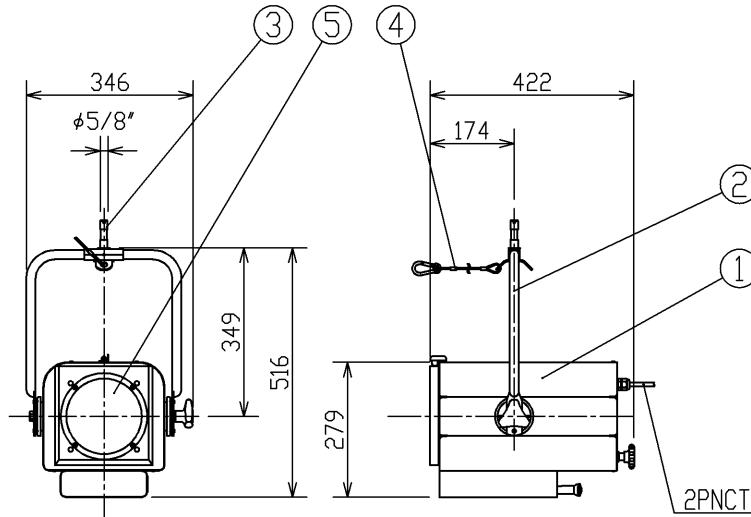
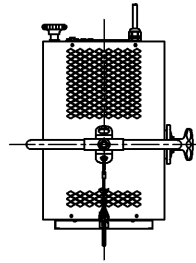
7

8

PART NO.	DESCRIPTION	REQ.	MATERIAL	SPECIFICATION
1	Main Body	1	Alp(Aluminium)t1.0	Meramine baking finish(Black)
2	York	1	STKM(Steel pipe)t1.6	Meramine baking finish(Black)
3	Spigot	1	SGD(steel)φ5/8"	Chromating
4	Safety wire	1	SUS(Stainless steel)	φ3×400
5	Lens	1	Borosilicate glass	-

Product code	548-11942
Input voltage (V)	AC100-242
Input current (A)	1.0-0.4
Rated power consumption (W)	102-98
Power supply frequency (Hz)	50/60
Correlated color temperature (K) ±1	3000
Color rendering index (Ra) ±1	95
Light source lifetime (h) ±1	20000
Operational angle range	45° 90° 45° 80°
Operational ambient temperature (°C)	5~35
Maximum surface temperature (°C)	65
Minimum illumination distance (m)	0.1
Minimum separation distance (m)	0.1
Weight (kg)	8.0
Dimming range (%)	0~100
Dimming method	DMX*/RDM*/Manual
Accessories	
Optional Accessories	Filter holder

- ※1: The temperature is 25°C.
This is not a guaranteed value.
- ※2: This conforms to USITT DMX512-A
- ※3: RDM (Remote Device Management)
ANSI Stand performance lighting digital signal.
Bi-direction communication standard that enables
two-way device remote management by using a
DMX-512 cable.
- (Precautions)
- Dimmer output (including NONDIM output) cannot be used as the power source.
- There are variations in LED elements and the color of the light and brightness may be different even with the same model.
- Regarding to the power line, this product can be used by connecting up to max 8.
- Please read the instruction manual before use.

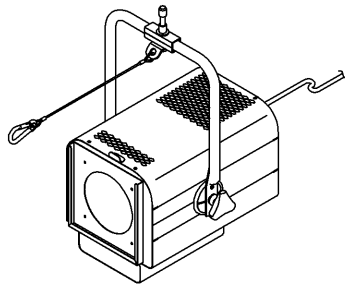


2PNCT 2 m m²×3 c ×2 m

CAUTION

- This product is a fixture for performance space. Do not use it for other applications.
- It is not designed for use as a general lighting fixture.
- Regarding to the mounting and the installation, please read the instruction manual, and do it certainly. If you did misuse, it will cause fixture fall, electric shock, or fire.
- Do not mount or install the fixture in places where there are intense vibrations or in places where there are continuous vibrations. This may cause the fixture to fall down and lead to physical damage or injury.
- DO NOT look into the beam of the LED.

Indoor use only



APPROVED BY	M.Ozaki	CHARGED BY	F.Sakaki	TITLE	6" Fresnel Lens LED Spotlight		
TOSHIBA 東芝ライテック株式会社 Toshiba Lighting & Technology Corporation				MODEL NO.	AL-LED-FSHT6-L-E		
				DRAWING NO.	BA2023-56458-01		
3RD ANGLE PROJECTION				SCALE	1/10	UNITS	mm